

PARTS LIST

MARINE DIESEL GENERATORS

3.8 BCDT / 3.5 BCDT

PUBLICATION NO. NA
Preliminary Copy
April 2007



WESTERBEKE CORPORATION
150 JOHN HANCOCK ROAD
TAUNTON, MA 02780-7319 U.S.A.
WWW.WESTERBEKE.COM

Parts List

Westerbeke

3.8 BCDT / 3.5 BCDT



Westerbeke Corporation
Myles Standish Industrial Park
150 John Hancock Rd.
Taunton, MA 02780-7319
www.westerbeke.com

IMPORTANT

Product Software Disclaimer

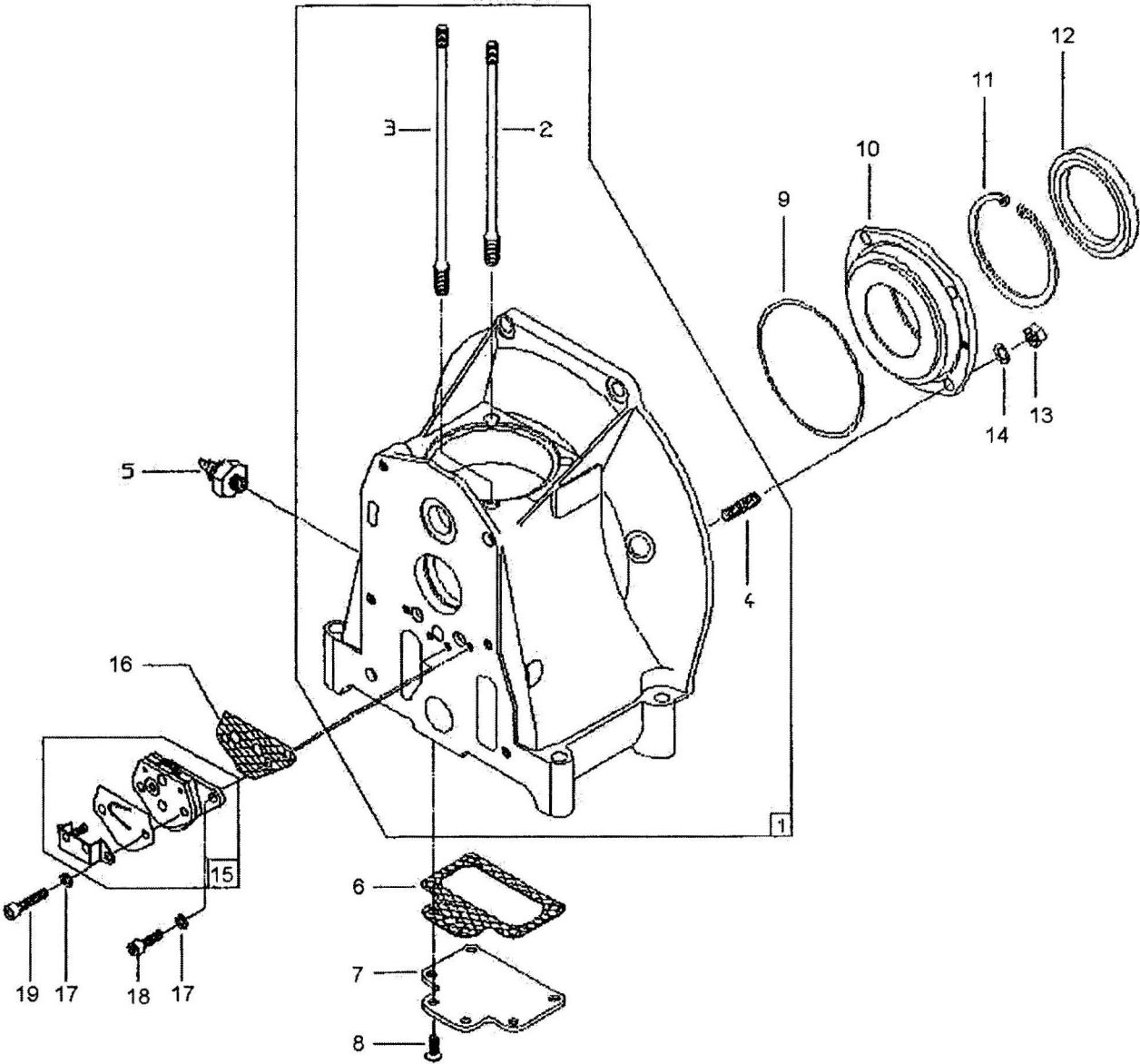
Product software of all kinds, such as brochures, drawing, technical data, operator's and workshop manuals, parts lists and parts price lists, and other information, instructions and specifications provided from sources other than Westerbeke, is not within Westerbeke's control and; accordingly, is provided to Westerbeke customers only as a courtesy and service. Westerbeke cannot be responsible for the content of such software, makes no warranties or representations with respect thereto, including the accuracy, timeliness or completeness thereof, and will in no event be liable for any type of damages or injury incurred in connection with, or arising out of, the furnishing or use of such software.

For example, components and subassemblies incorporated in Westerbeke's products and supplied by others (such as engine blocks, fuel systems and components, transmissions, electrical components, pumps and other products) are generally supported by their manufacturers with their own software, and Westerbeke must depend on such software for the design of Westerbeke's own product software. Such software may be outdated and no longer accurate. Routine changes made by Westerbeke's suppliers, of which Westerbeke rarely has notice in advance, are frequently not reflected in the supplier's software until after such changes take place.

Westerbeke customers should also keep in mind the time span between printings of Westerbeke product software and the unavoidable existence of earlier, non-current, Westerbeke software editions in the field. Additionally, most Westerbeke products include customer-requested special features that frequently do not include complete documentation.

In summation, product software provided with Westerbeke products, whether from Westerbeke or other suppliers, must not and cannot be relied upon exclusively as the definitive authority on the respective product. It not only makes good sense but is imperative that appropriate representatives of Westerbeke or the supplier in question be consulted to determine the accuracy and currency of the product software being consulted by the customer.

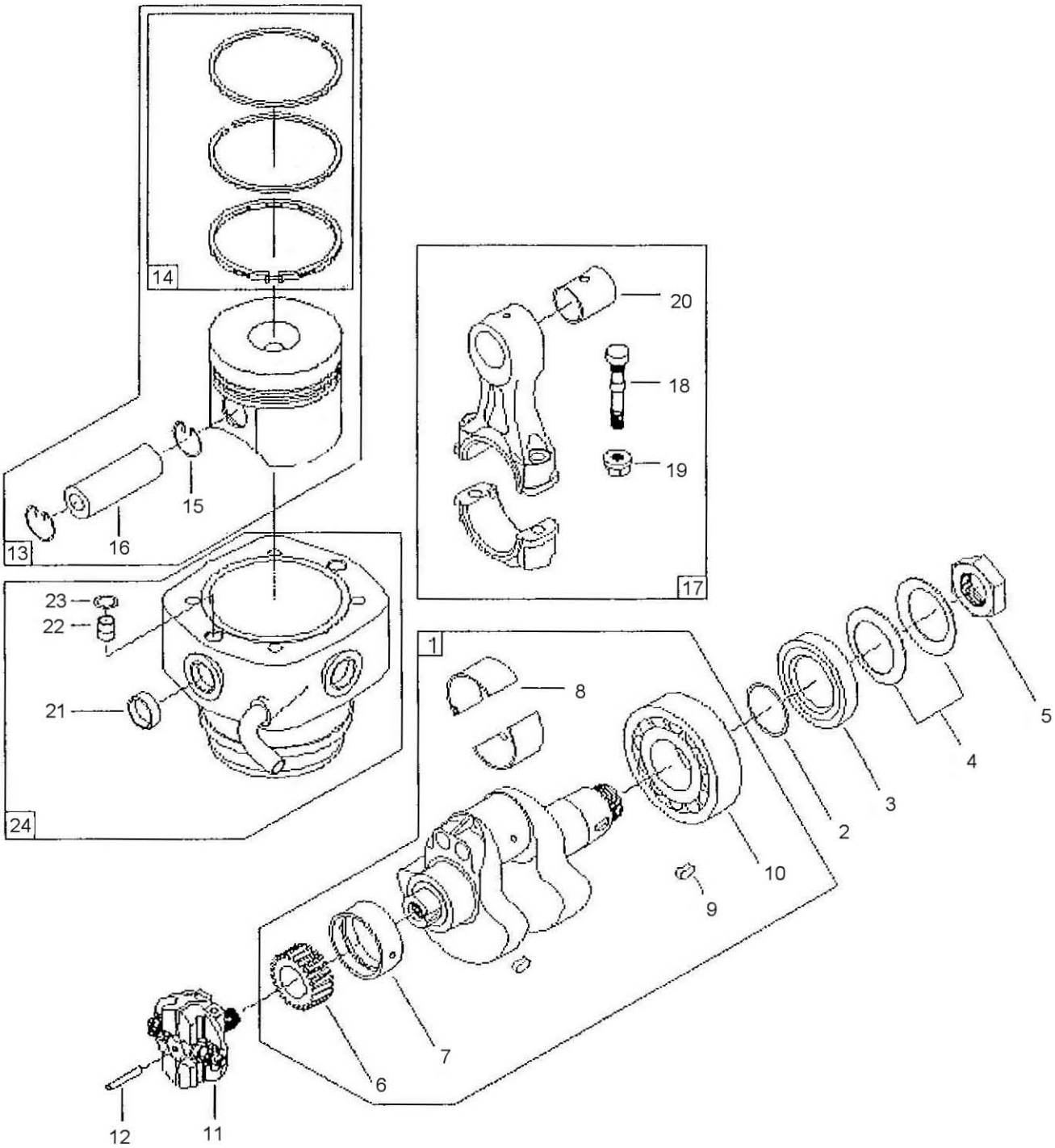
WESTERBEKE 3.8 BCDT GENERATOR - ENGINE BLOCK



WESTERBEKE 3.8 BCDT GENERATOR - ENGINE BLOCK

REF	PN	NAME	REMARKS	QUAN
1	044621	BLOCK,CRANKCASE	BARE BLOCK	1
2	045714	STUD, SHORT	CYLINDER MOUNTING	2
3	045715	STUD, LONG	CYLINDER MOUNTING	2
4	045716	STUD	BEARING HOUSING	4
5	045611	SWITCH	OIL PRESSURE	1
6	045836	GASKET	OIL SUMP	1
7	045940	PLATE,COVER	OIL SUMP	1
8	NA	SCREW	SUMP PLATE	6
9	045880	O-RING	REAR BEARING SUPPORT FLANGE	1
10	045822	HOUSING, BEARING	MAIN BEARING SUPPORT	1
11	045914	RING,RETAINING	MAIN BEARING	1
12	045925	SEAL,OIL	BEARING HOUSING	1
13	018242	NUT, HEX M8	BEARING HOUSING	4
14	NA	WASHER, EXT TOOTH	BEARING HOUSING	4
15	045817	PUMP,OIL	ASSEMBLY	1
16	045839	GASKET	OIL PUMP	1
17	031783	WASHER, LOCK M6	OIL PUMP	3
18	018804	SCREW, HEX M6 X 20	OIL PUMP	1
19	013590	SCREW, HEX M6 X 30	OIL PUMP	2

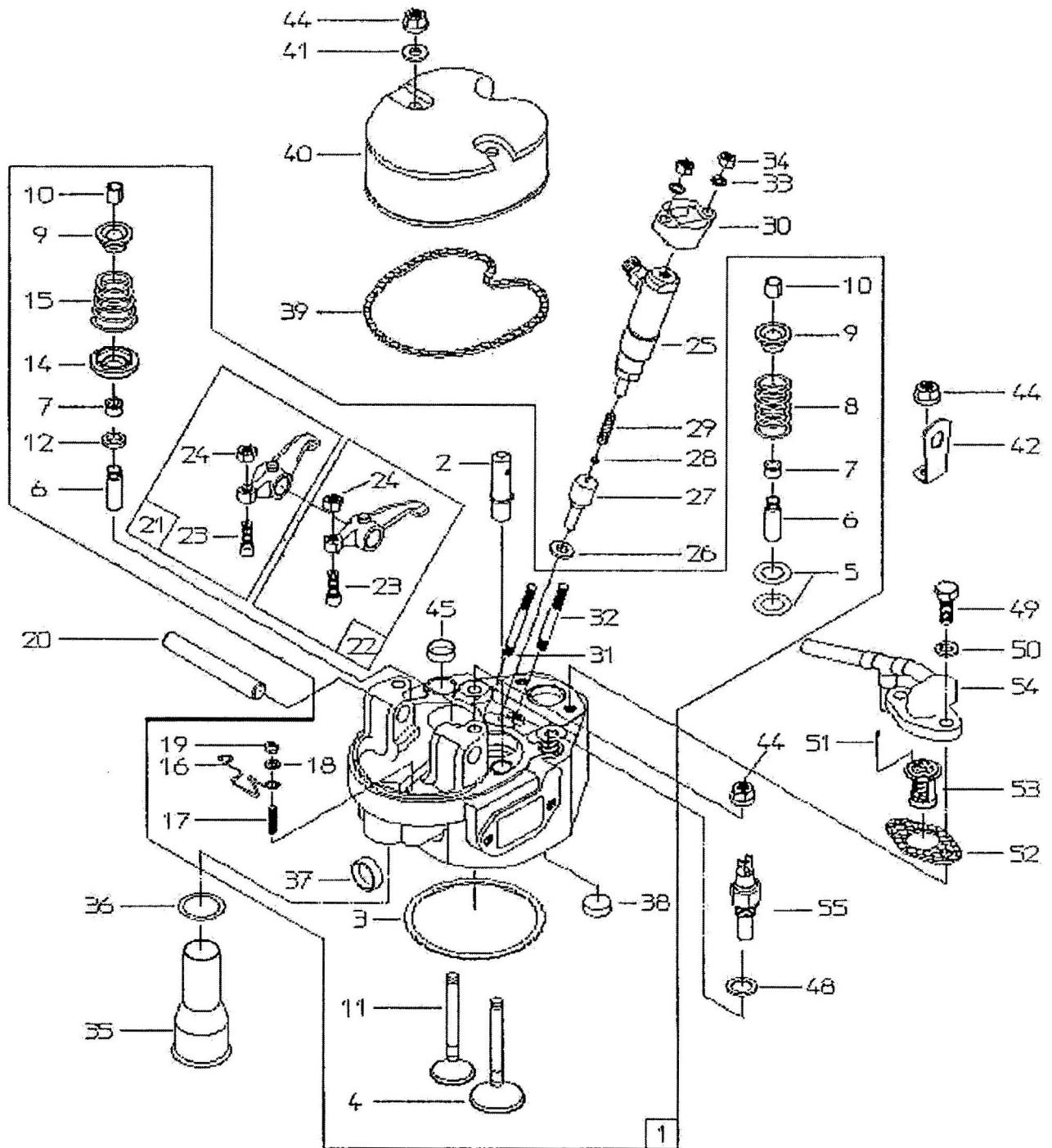
WESTERBEKE 3.8 BCDT GENERATOR - CYLINDER AND CRANKSHAFT



WESTERBEKE 3.8 BCDT GENERATOR - CYLINDER AND CRANKSHAFT

REF	PN	NAME	REMARKS	QUAN
1	048609	CRANKSHAFT	ASSY, INC REF 6-10	1
2	045878	O-RING	CRANKSHAFT SEAL	1
3	045736	RING	CRANKSHAFT	1
4	045859	WASHER	BELLEVILLE	2
5	045725	NUT	FLYWHEEL	1
6	045697	GEAR	TIMING	1
7	045851	BUSHING	MAIN STD.	1
7	045852	BUSHING	MAIN 0.25	1
7	045853	BUSHING	MAIN 0.50	1
8	045949	BEARING	ROD STD	1
8	045950	BEARING	ROD 0.25	1
8	045951	BEARING	ROD 0.50	1
9	045927	KEY	WOODRUFF	2
10	045857	BEARING	MAIN	1
11	045775	GOVERNOR	3600 RPM	1
12	045926	PIN	GOVERNOR	1
13	045953	PISTON STD	INC WRIST PIN AND RETAINERS	1
14	047249	RING	SET STD	1
15	045933	RING	RETAINING PISTON PIN	2
16	045617	PIN	PISTON	1
17	045820	ROD	CONNECTING INC REF 18-20	1
18	045710	BOLT	CONNECTING ROD	2
19	045724	NUT	CONNECTING ROD BOLT	2
20	045701	BUSHING	PISTON PIN	1
21	037653	PLUG	EXPANSION	4
22	045981	PIPE	WATER TRANSFER	2
23	045877	O-RING	WATER TRANSFER	2
24	045955	CYLINDER	3.8 BCDT	1

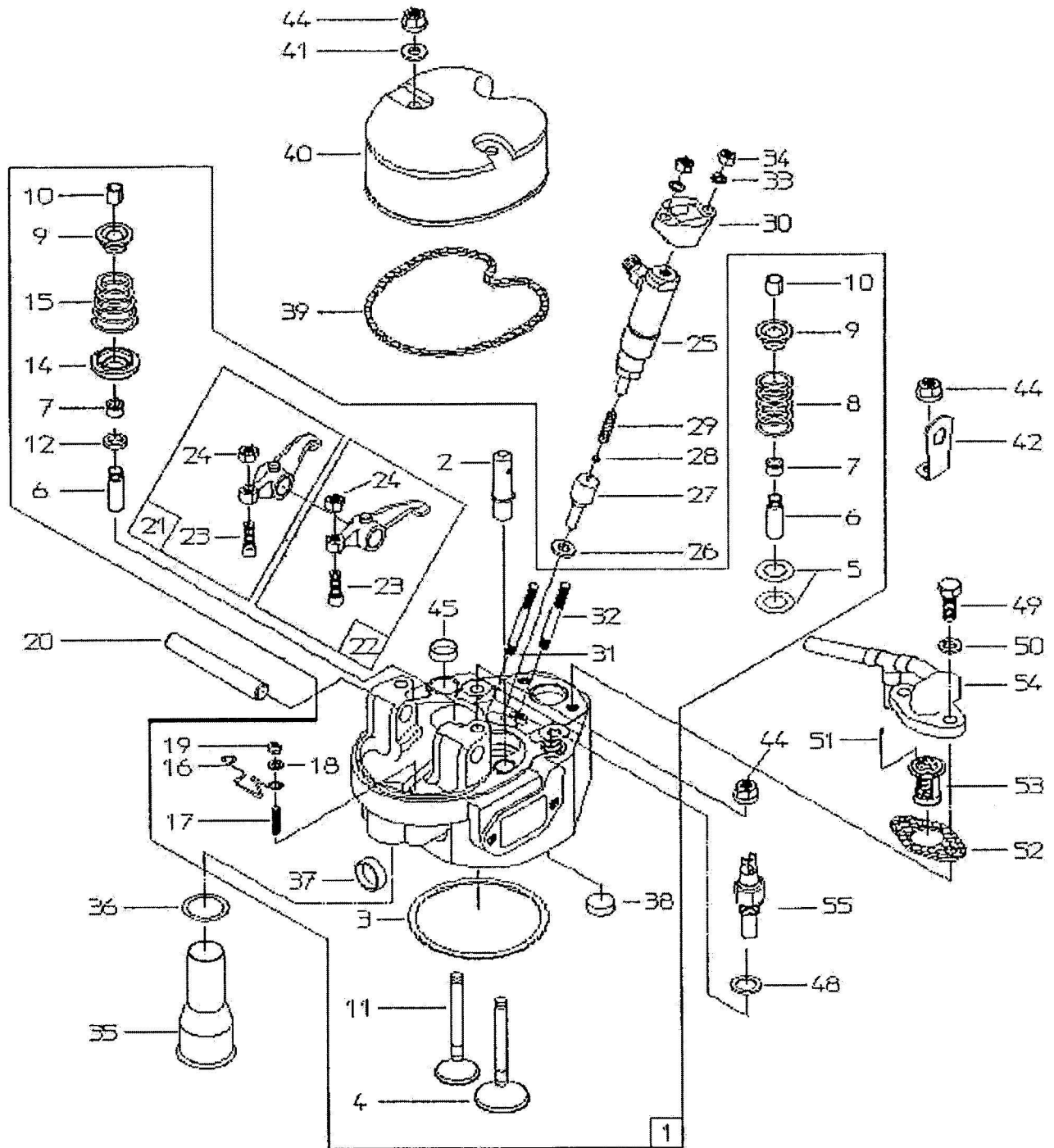
WESTERBEKE 3.8 BCDT GENERATOR - CYLINDER HEAD



WESTERBEKE 3.8 BCDT GENERATOR - CYLINDER HEAD

REF	PN	NAME	REMARKS	QUAN
1	048612	HEAD	CYLINDER ASSY	1
2	045812	VALVE	BREATHER	1
3	045849	GASKET	HEAD	1
4	045693	VALVE	INTAKE	1
5	045970	WASHER	VALVE SPRING	2
6	045622	GUIDE	VALVE	2
7	045903	SEAL	VALVE-W/OUT SPRING 80	2
8	045861	SPRING	VALVE INTAKE	1
9	045746	SEAT	VALVE SPRING-UPPER	2
10	045963	COTTER	VALVE	2
11	045624	VALVE	EXHAUST	1
12	045739	WASHER	EXHAUST VALVE	1
14	045785	SEAT	VALVE SPRING EXHAUST LWR	1
15	045862	SPRING	VALVE EXHAUST	1
16	045865	SPRING	RETAINING	1
17	NA	STUD	M5 X 10	2
18	NA	WASHER	5.3	2
19	018241	NUT, HEX	5MM	2
20	045615	SHAFT	ROCKER ARM	1
21	045807	ROCKER	ARM	1
22	045806	ROCKER	ARM	1
23	045722	SCREW	ROCKER ADJUSTING	2
24	NA	NUT, HEX	7MM	2
25	045758	INJECTOR	FUEL	1
26	047707	WASHER	INJECTOR SEALING	1
27	045760	NOZZLE	INJECTOR	1
28	045761	PIN	INJECTOR SPRING	1
29	045763	SPRING	INJECTOR	1
30	045971	FLANGE	INJECTOR MOUNTING	1
31	NA	STUD	M6 X 50	1
32	NA	STUD	M6 X 45	1
33	031783	WASHER	LOCK	2
34	015812	NUT, HEX	6MM	2
35	045946	TUBE	PUSHROD	1
36	045884	O-RING	PUSHROD TUBE	1
37	037653	PLUG	EXPANSION	2
38	024364	PLUG	EXPANSION	1
39	045834	GASKET	ROCKER COVER	1
40	045810	COVER	ROCKER	1

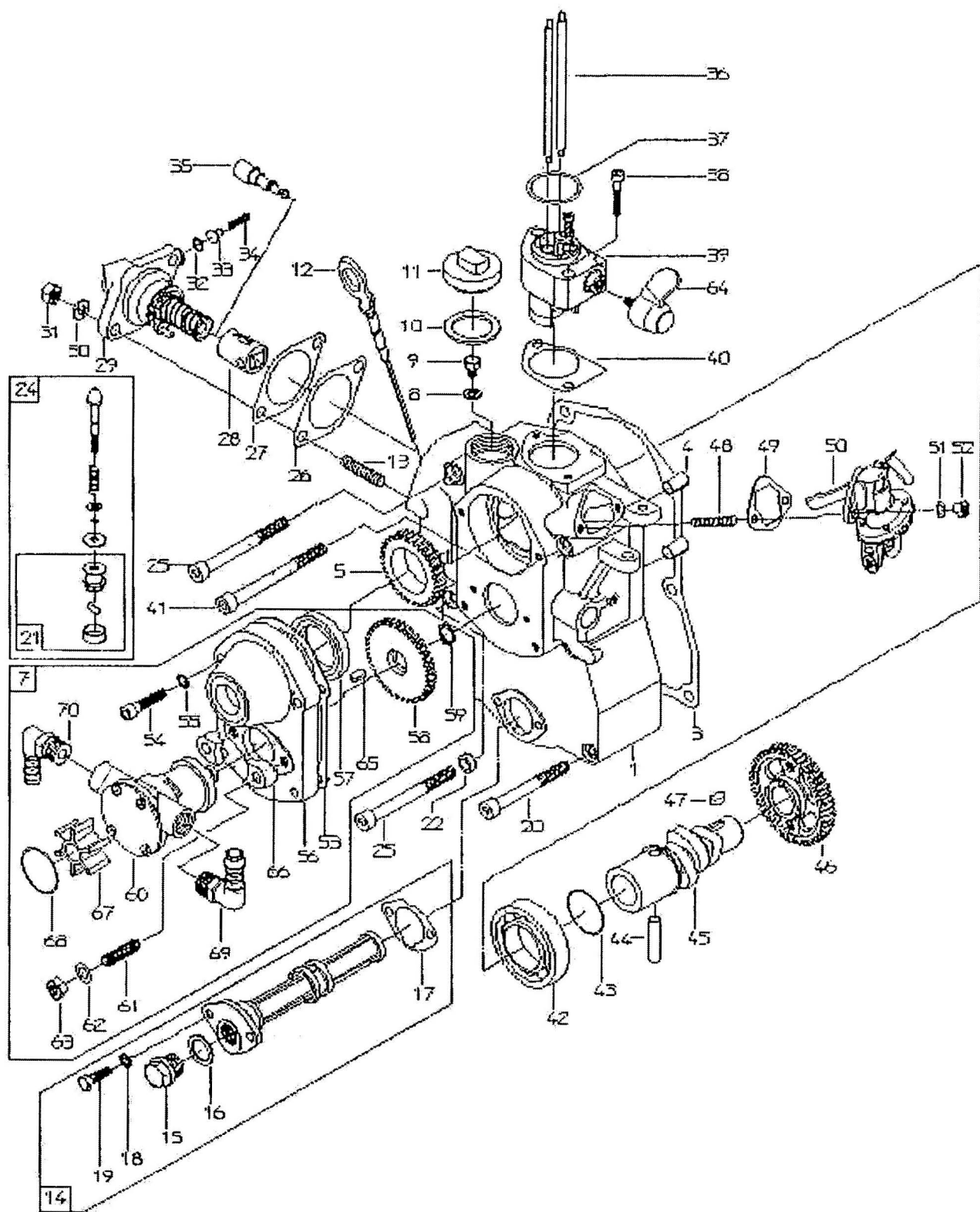
WESTERBEKE 3.8 BCDT GENERATOR - CYLINDER HEAD



WESTERBEKE 3.8 BCDT GENERATOR - CYLINDER HEAD

REF	PN	NAME	REMARKS	QUAN
41	NA	WASHER	M8	2
42	045968	EYE	LIFTING 3.8 BCDT	1
44	018242	NUT, HEX		2
45	024364	PLUG	EXPANSION	1
48	NA	WASHER	COPPER	1
49	017196	SCREW, HEX	M8 X 20	2
50	031786	WASHER	M8 LOCK	2
51	045907	PIN	COTTER	1
52	045833	GASKET	THERMOSTAT	1
53	045786	THERMOSTAT	40C	1
54	045993	HOUSING	THERMOSTAT	1
55	045790	SWITCH	TEMPERATURE 85C	1

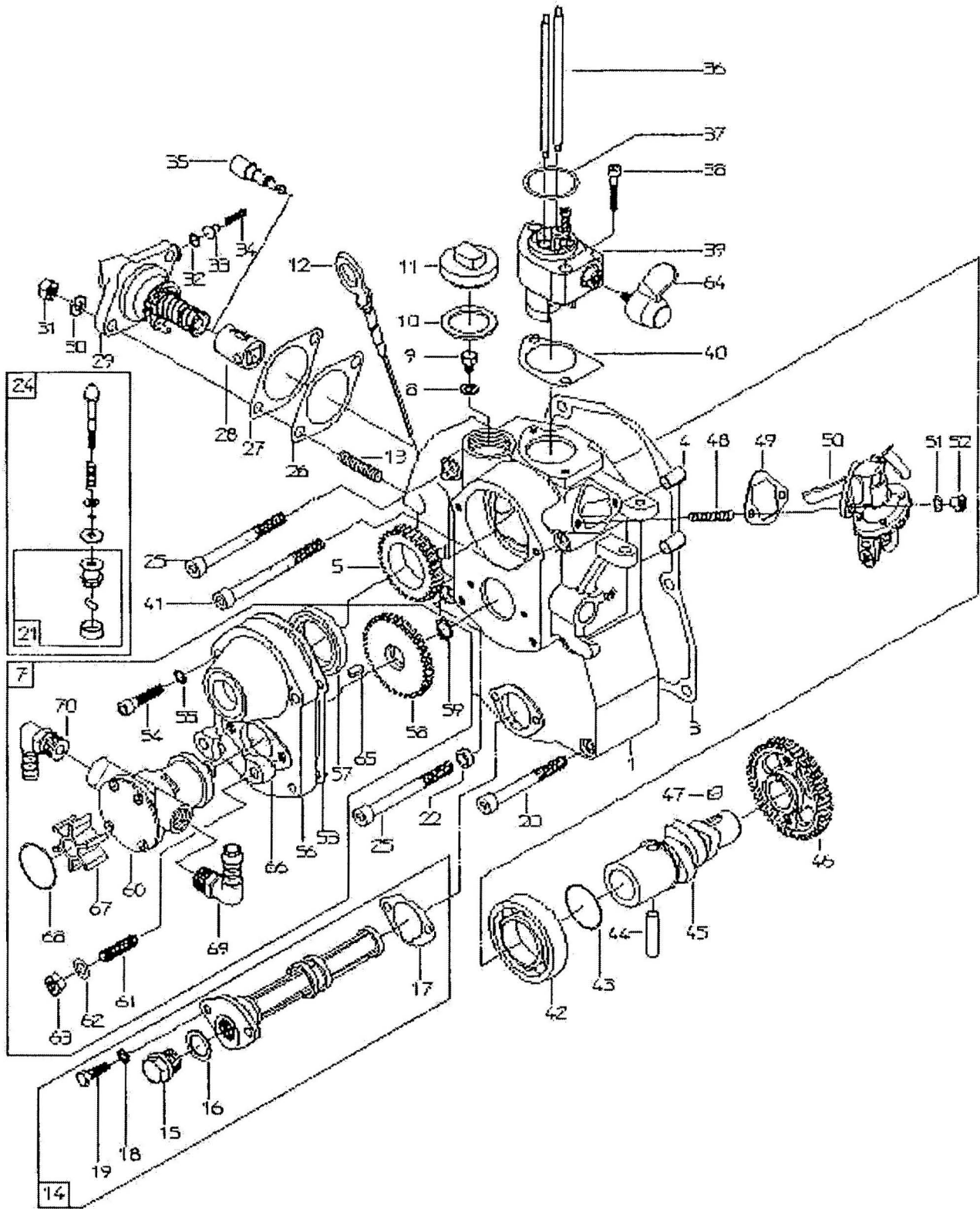
WESTERBEKE 3.8 BCDT GENERATOR - GEAR END COVER



WESTERBEKE 3.8 BCDT GENERATOR - GEAR END COVER

REF	PN	NAME	REMARKS	QUAN
1	045814	CASE	TIMING	1
3	045835	GASKET	TIMING CASE	1
4	045930	PIN	ROLL	2
5	045695	GEAR	CAMSHAFT FRONT	1
8	NA	WASHER	SPRING	1
9	045717	SCREW	HEX TIMING CASE	1
10	045886	GASKET	OIL FILL CAP	1
11	045935	CAP	OIL FILL	1
12	045830	DIPSTICK		1
13	045125	STUD	M8 X 20	2
14	045823	FILTER	LUBE OIL ASSY	1
15	045921	PLUG	OIL DRAIN 3/8	1
16	NA	WASHER, COPPER	17 X 23 X 1.5	1
17	045840	GASKET	OIL FILTER	1
18	NA	WASHER, COPPER	6 X 10 X 1.5	2
19	017196	SCREW, HEX	M8 X 20	2
20	018812	SCREW, HEX	M8 X 70	2
21	045962	HANDLE	PRIMER	1
22	NA	BUSHING		NA
24	048608	PRIMER	ASSEMBLY	1
25	031813	SCREW, HEX	M8 X 80	3
26	045976	SHIM	INJECTION PUMP 0.2MM	1
26	045977	SHIM	INJECTION PUMP 0.5MM	1
26	045978	SHIM	INJECTION PUMP 0.4MM	1
26	045979	SHIM	INJECTION PUMP 1 MM STEEL	1
27	045842	GASKET	INJECTION PUMP	1
28	045757	ROLLER	TAPPET INJECTION PUMP	1
29	045755	PUMP	INJECTION 3.8 BCDT	1
30	NA	WASHER, SPRING		2
31	018242	NUT, HEX	M8	2
32	045750	WASHER	DELIVERY VALVE	1
33	045756	VALVE	DELIVERY 3.8 BCDT	1
34	045751	SPRING	DELIVERY VALVE	1
35	042254	ELEMENT	PUMP DELIVERY 3.8 BCDT	1
36	045619	PUSHROD		2
37	045885	O-RING		1
38	033621	SCREW, HEX	M5 X 30	2
39	045792	HOUSING	DECOMPRESSION	1
40	045838	GASKET	DECOMPRESSION ASSY	1
40	045843	GASKET		1

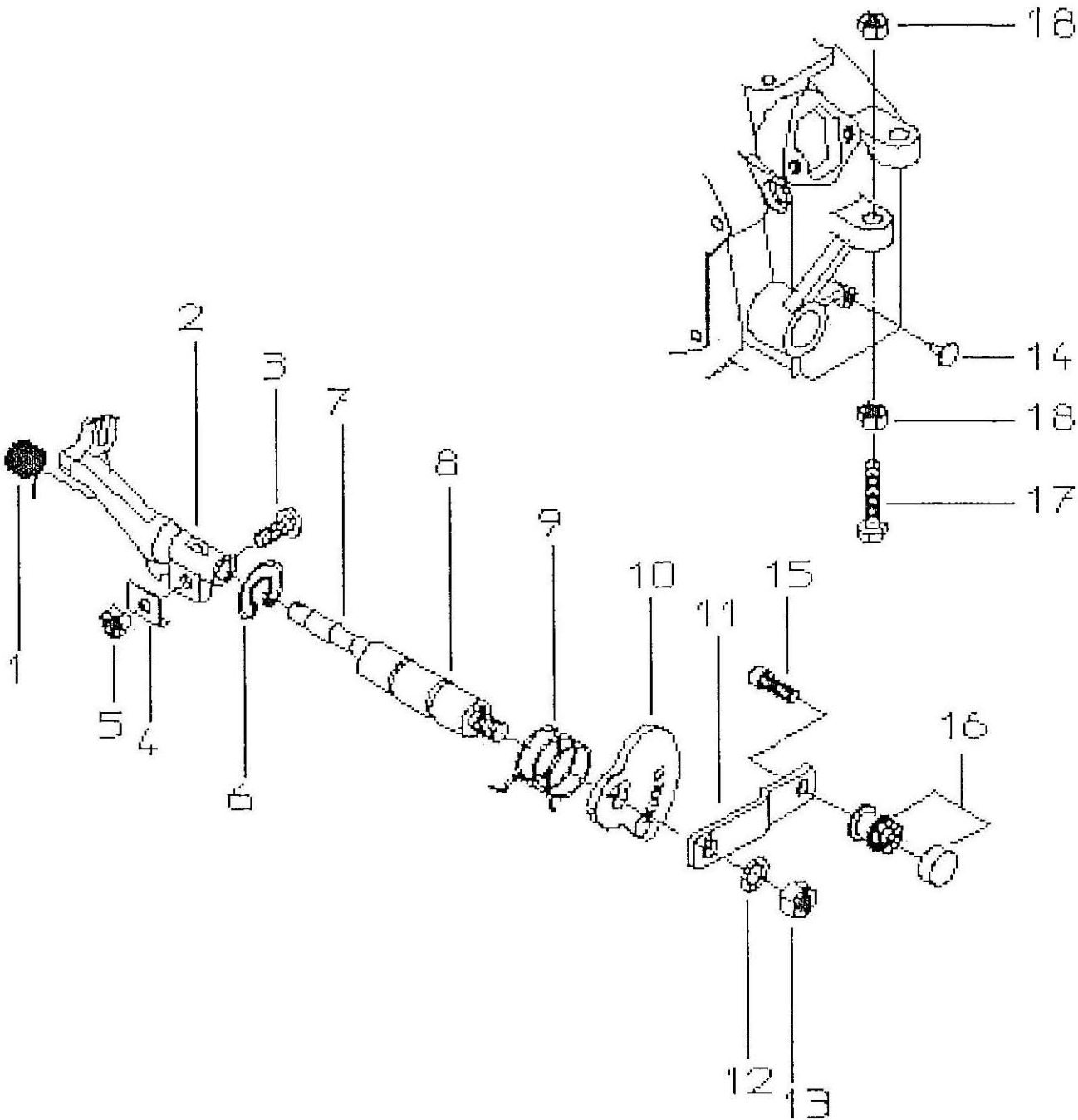
WESTERBEKE 3.8 BCDT GENERATOR - GEAR END COVER



WESTERBEKE 3.8 BCDT GENERATOR - GEAR END COVER

REF	PN	NAME	REMARKS	QUAN
41	NA	SCREW, HEX	M8 X 90	1
42	045917	BEARING	BALL GROOVED	1
43	045889	O-RING		1
44	045616	PIN	CAMSHAFT FOR HAND CRANK	1
45	045816	CAMSHAFT		1
46	045698	GEAR	CAMSHAFT	1
47	045927	KEY	WOODRUFF	1
48	042689	STUD	M6 X 20	1
49	045876	GASKET	LIFT PUMP	1
50	042923	PUMP	LIFT 3.8 BCDT	1
51	031783	WASHER	LOCK	2
52	015812	NUT, HEX	M6	2
53	045875	GASKET	HOUSING COVER	1
54	020628	SCREW, HEX	M6 X 25	4
55	NA	WASHER, SPRING		4
56	045800	COVER	TIMING	1
57	045924	SEAL	OIL	1
58	045696	GEAR	WATER PUMP DRIVE	1
59	045912	RING	RETAINING	1
60	045765	PUMP	SEA WATER	1
61	045125	STUD	M8 X 20	2
62	031786	WASHER, LOCK		2
63	018242	NUT, HEX	M8	2
64	045793	LEVER	DECOMPRESSION 3.8 BCDT	1
65	045929	KEY	WOODRUFF	1
66	045768	CLAMP	WATER PUMP 45765	2
67	045766	IMPELLER	KIT 45765 PUMP	1
68	033032	GASKET	IMPELLER COVER	1
69	045776	ELBOW	SEA PUMP	1
70	045778	ELBOW	SEA PUMP	1

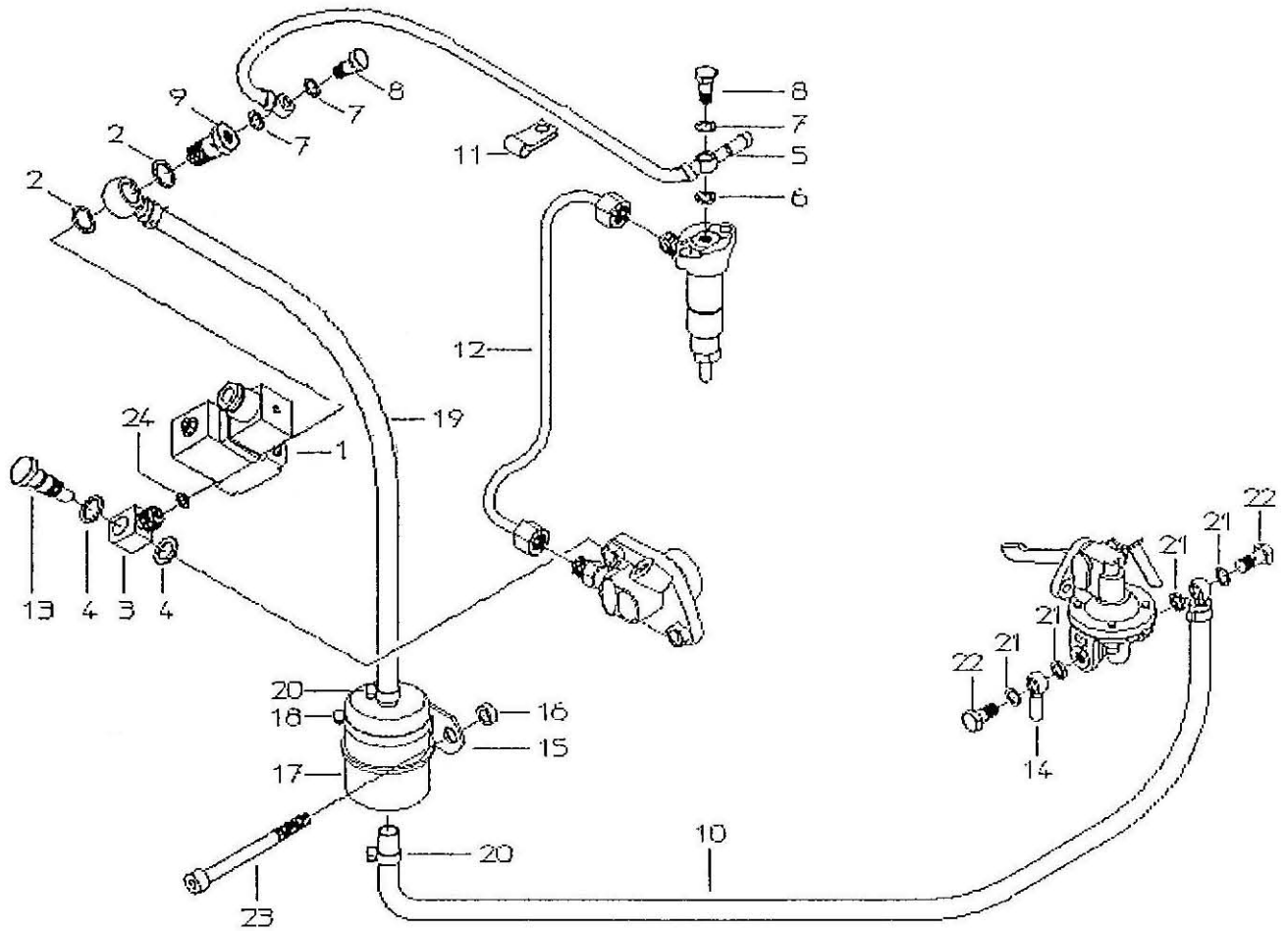
WESTERBEKE 3.8 BCDT GENERATOR - GOVERNOR LINKAGE AND CONTROLS



WESTERBEKE 3.8 BCDT GENERATOR - GOVERNOR LINKAGE AND CONTROLS

REF	PN	NAME	REMARKS	QUAN
1	045863	SPRING	RETURN	1
2	045799	LEVER	CONTROL	1
3	045721	SCREW	ADJUSTING	1
4	045975	PLATE	LOCKING	1
5	045730	NUT	M 6 HEX STOP	1
6	045867	RING	RETAINING	1
7	045613	SHAFT	THROTTLE-ECCENTRIC	1
8	045877	O-RING		1
9	045864	SPRING	TORSION	1
10	045945	PLATE	CONTROL	1
11	043228	LEVER	THROTTLE	1
12	NA	WASHER, SPRING		1
13	018242	NUT, HEX	M8	1
14	NA	BOLT		1
15	NA	SCREW, HEX	M5 X 16	1
16	NA	HANDEL		1
17	NA	SCREW, HEX	M6 X 75	1
18	015812	NUT, HEX	M6	2

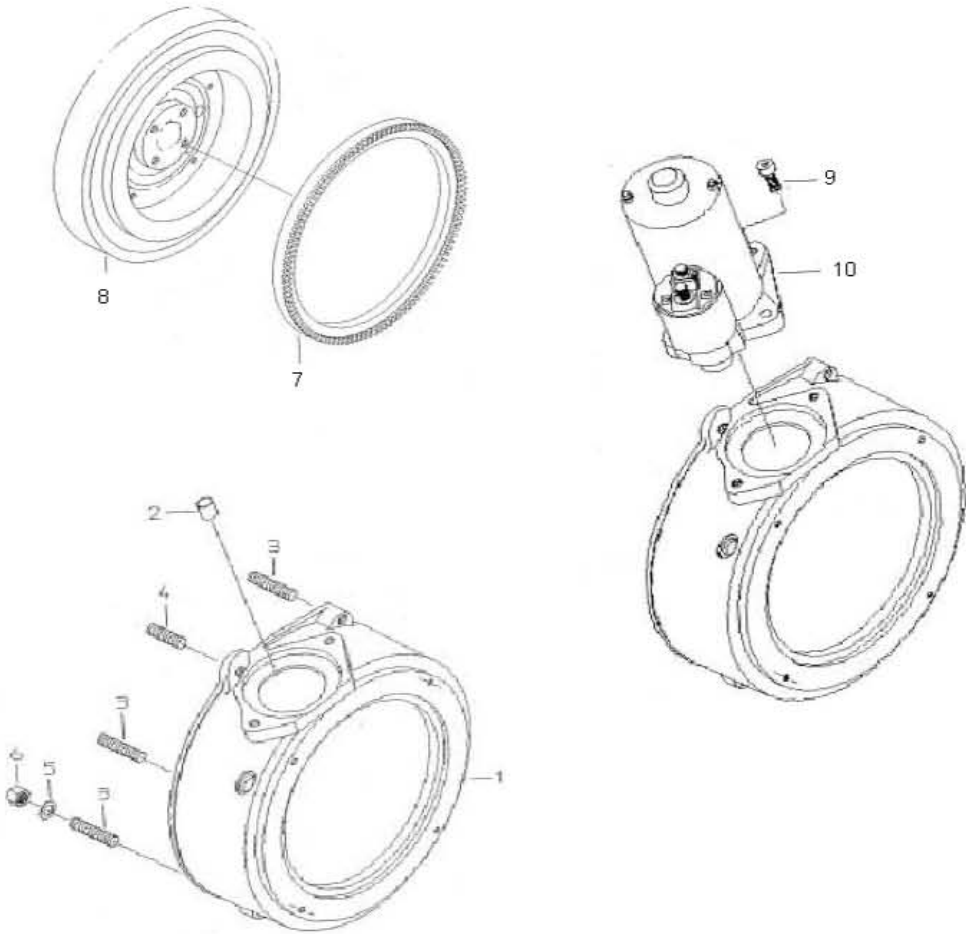
WESTERBEKE 3.8 BCDT GENERATOR - FUEL LINES



WESTERBEKE 3.8 BCDT GENERATOR - FUEL LINES

REF	PN	NAME	REMARKS	QUAN
1	045890	SOLENOID	FUEL SHUT OFF	1
2	047706	WASHER	BANJO	2
3	045747	BANJO	FUEL SOLENOID VALVE	1
4	036923	WASHER	BANJO	2
5	045832	LINE	INJECTOR RETURN	1
6	045887	WASHER	BANJO	1
7	047708	WASHER	BANJO	3
8	045931	BOLT	BANJO	1
9	045733	BOLT	BANJO	1
10	043230	LINE	LIFT PUMP TO FILTER	1
11	045948	CLAMP	FUEL LINE	1
12	045984	LINE	INJECTOR	1
13	045748	BOLT	BANJO FUEL SOLENOID VALVE	1
14	045732	BANJO	LIFT PUMP INLET	1
15	043229	BRACKET	FUEL FILTER	1
16	045704	SPACER	LIFT PUMP MOUNT	1
17	044769	FILTER	FUEL PRIMARY	1
18	045952	CLAMP	HOSE	1
19	043819	LINE	FILTER TO SOLENOID	1
20	024906	CLAMP	HOSE	1
21	047708	WASHER	BANJO	4
22	045735	BOLT	BANJO	2
23	NA	SCREW, HEX	M8 X 90	1
24	NA	JOINT	RING	1

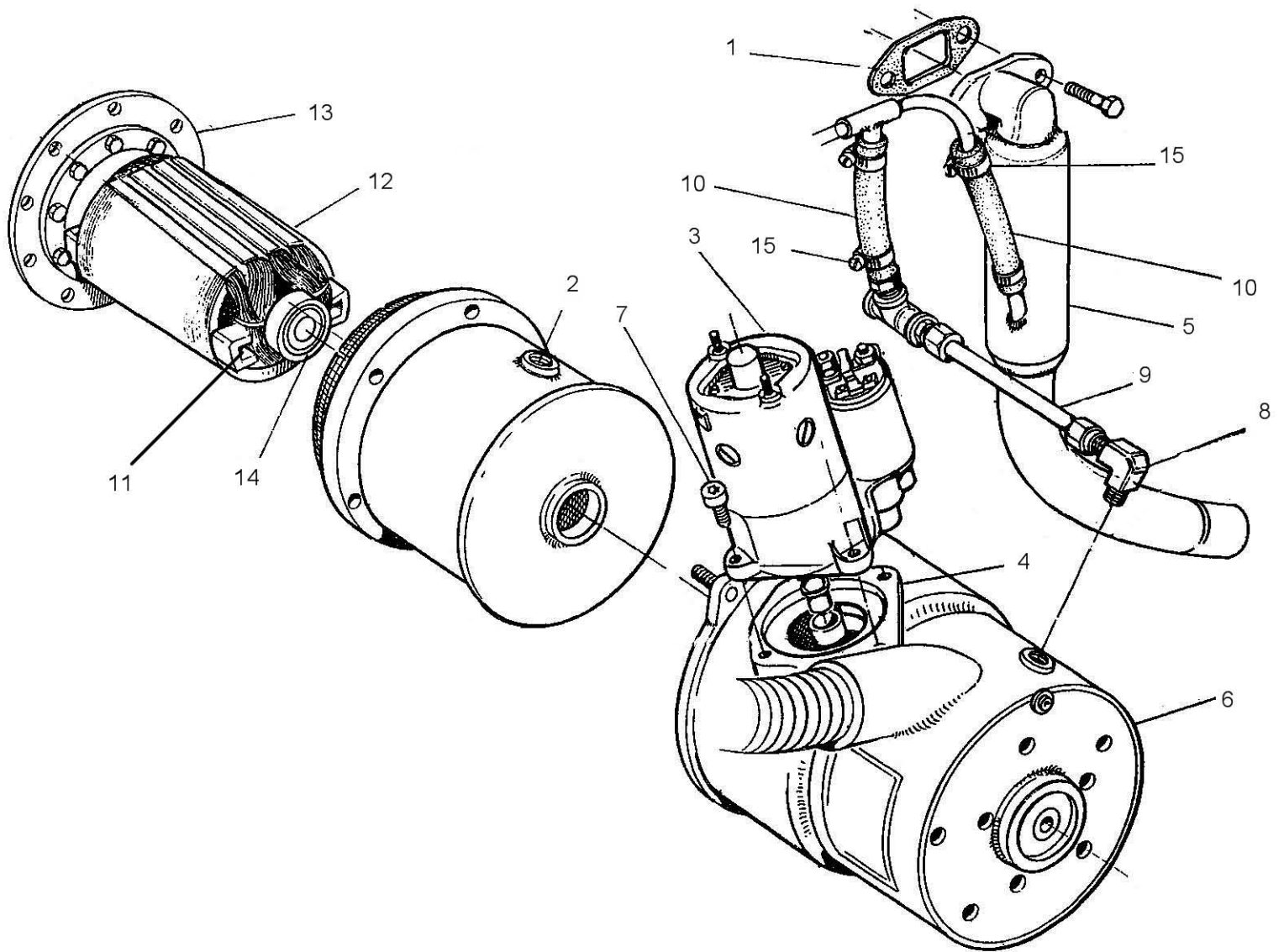
WESTERBEKE 3.8 BCDT GENERATOR - FLYWHEEL, STARTER MOTOR



WESTERBEKE 3.8 BCDT GENERATOR - FLYWHEEL, STARTER MOTOR

REF	PN	NAME	REMARKS	QUAN
1	043226	HOUSING	FLYWHEEL	1
2	045781	BUSHING	STARTER DRIVE	1
3	NA	STUD	M10 X 25	3
4	NA	STUD	M10 X 25	1
5	019262	WASHER, LOCK	M10	4
6	015887	NUT, HEX	M10	4
7	042219	GEAR	RING	1
8	043227	FLYWHEEL		1
9	NA	SCREW, HEX	M8 X 30	2
10	048742	MOTOR	STARTER 12VDC	1

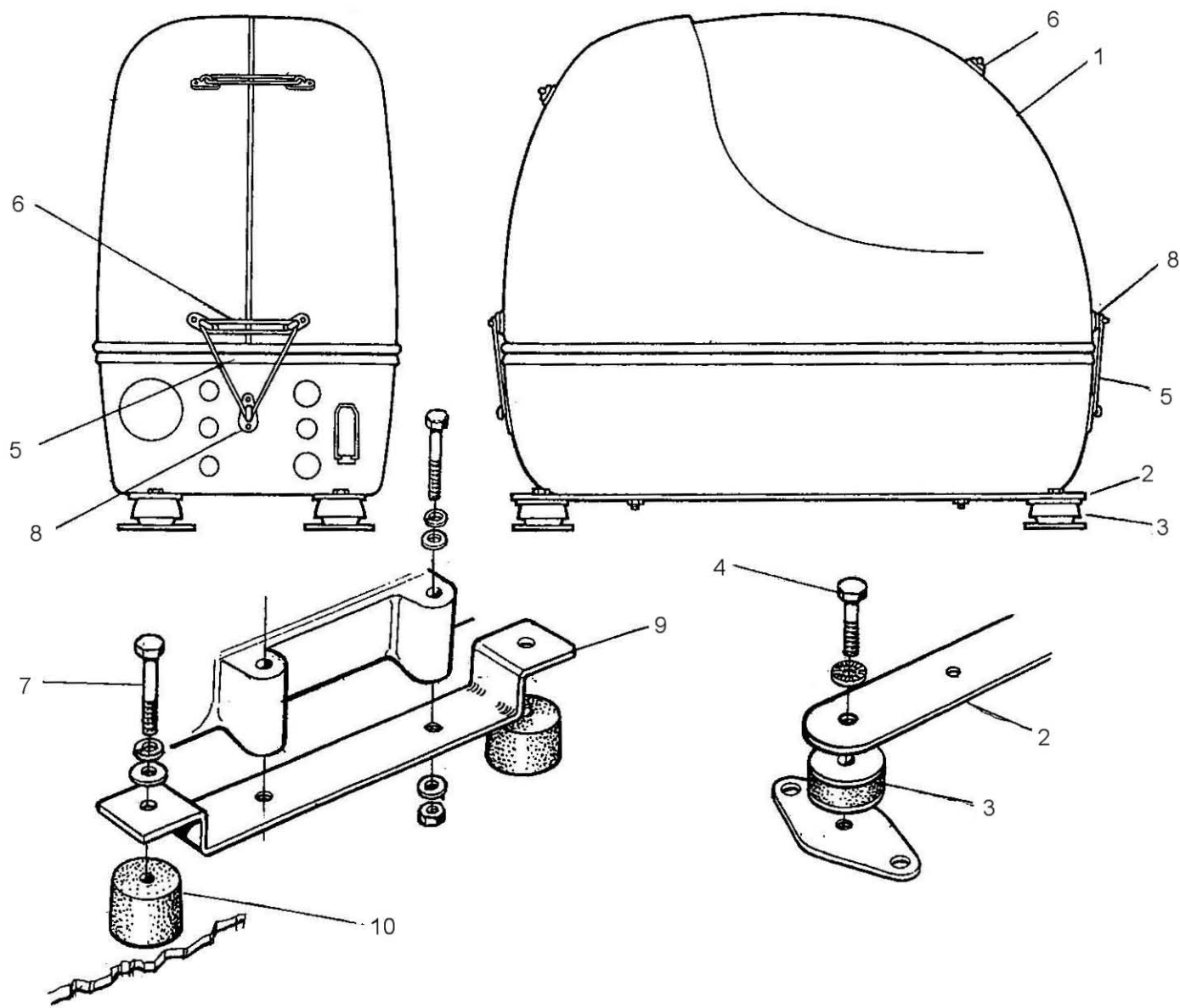
WESTERBEKE 3.8 BCDT GENERATOR - GEN END AND EXHAUST CONNECTOR



WESTERBEKE 3.8 BCDT GENERATOR - GEN END AND EXHAUST CONNECTOR

REF	PN	NAME	REMARKS	QUAN
1	045837	GASKET	AIR INTAKE / EXHAUST	1
2	NA	HOUSING	WATER JACKET	1
3	048742	MOTOR	STARTER 12VDC	1
4	043226	HOUSING	FLYWHEEL	1
5	047064	ELBOW	WATER INJECT EXH, LONG VERSION	1
5	047073	MANIFOLD	EXHAUST , SHORT VERSION	1
6	NA	HOUSING	MAIN STATOR	1
7	NA	SCREW, HEX		2
8	048657	HOSE	TEE	1
9	NA	SEE REF 8		NA
10	NA	SEE REF 8		NA
11	035971	DIODE SET	SCREWED IN	1
11	044942	DIODE	EPOXIED IN	1
12	048649	ARMATURE	GENERATOR (50 OR 60 HZ USE)	1
13	NA	DISC	DRIVE	1
14	048651	BEARING	BALL	1
15	NA	CLAMP		4

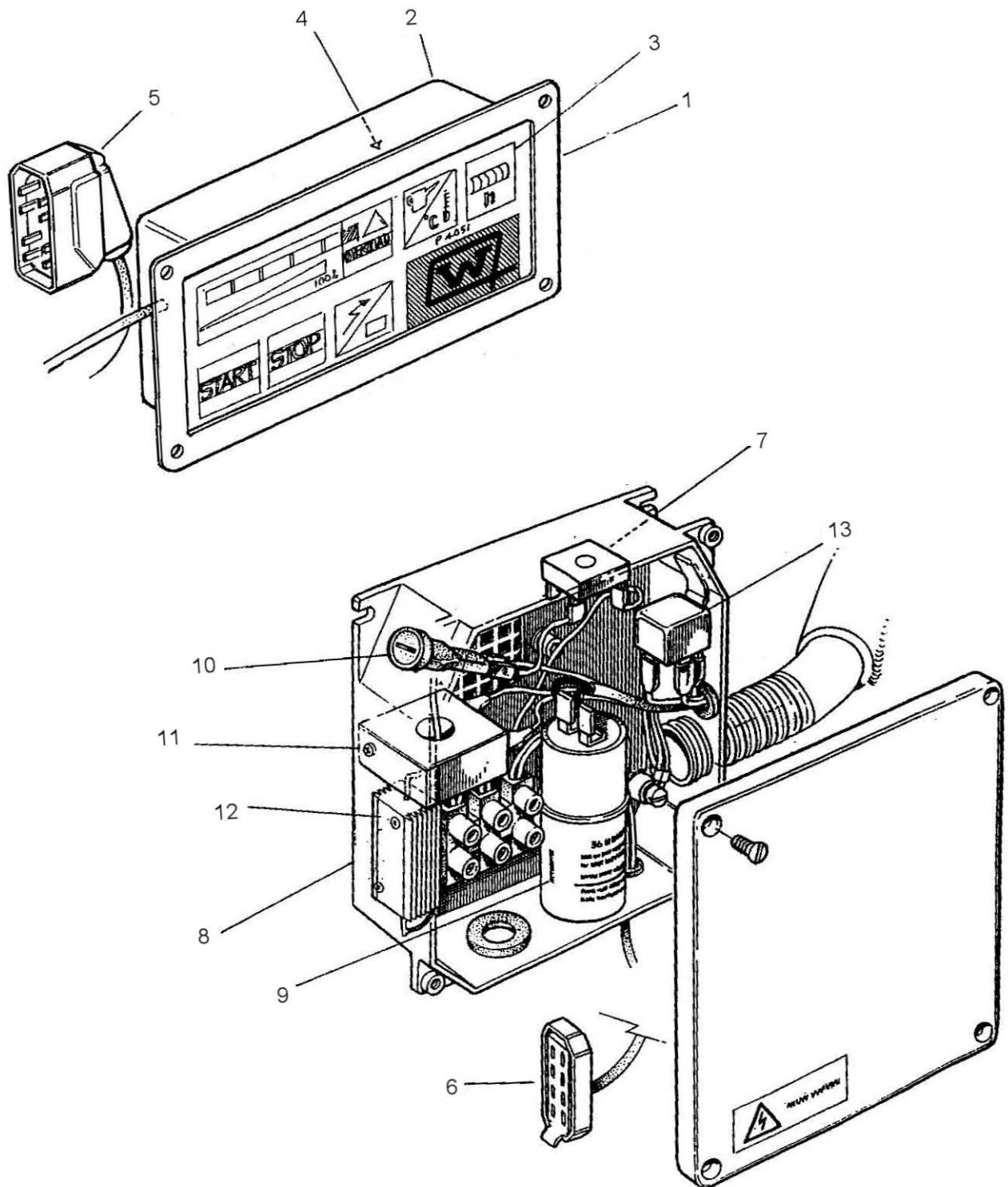
WESTERBEKE 3.8 BCDT GENERATOR - SOUND GUARD



WESTERBEKE 3.8 BCDT GENERATOR - SOUND GUARD

REF	PN	NAME	REMARKS	QUAN
1	NA	COVER	LEFT SIDE	1
1	NA	COVER	RIGHT SIDE	1
1	049851	BASE	SOUNDSHIELD	1
2	048656	BRACKET	MOUNT EXTERNAL	2
3	045901	ISOLATOR	GENSET EXTERNAL	4
4	NA	SCREW, HEX	M8 X 16 SS	4
5	NA	GASKET	BASE (SEE INSULATION SET)	NA
6	047819	STRAP	RUBBER SHORT	8
7	NA	SCREW, HEX		4
8	NA	HOOK		10
9	049847	BRACKET	MOUNT INTERNAL	2
10	047817	ISOLATOR	GENSET INTERNAL	4

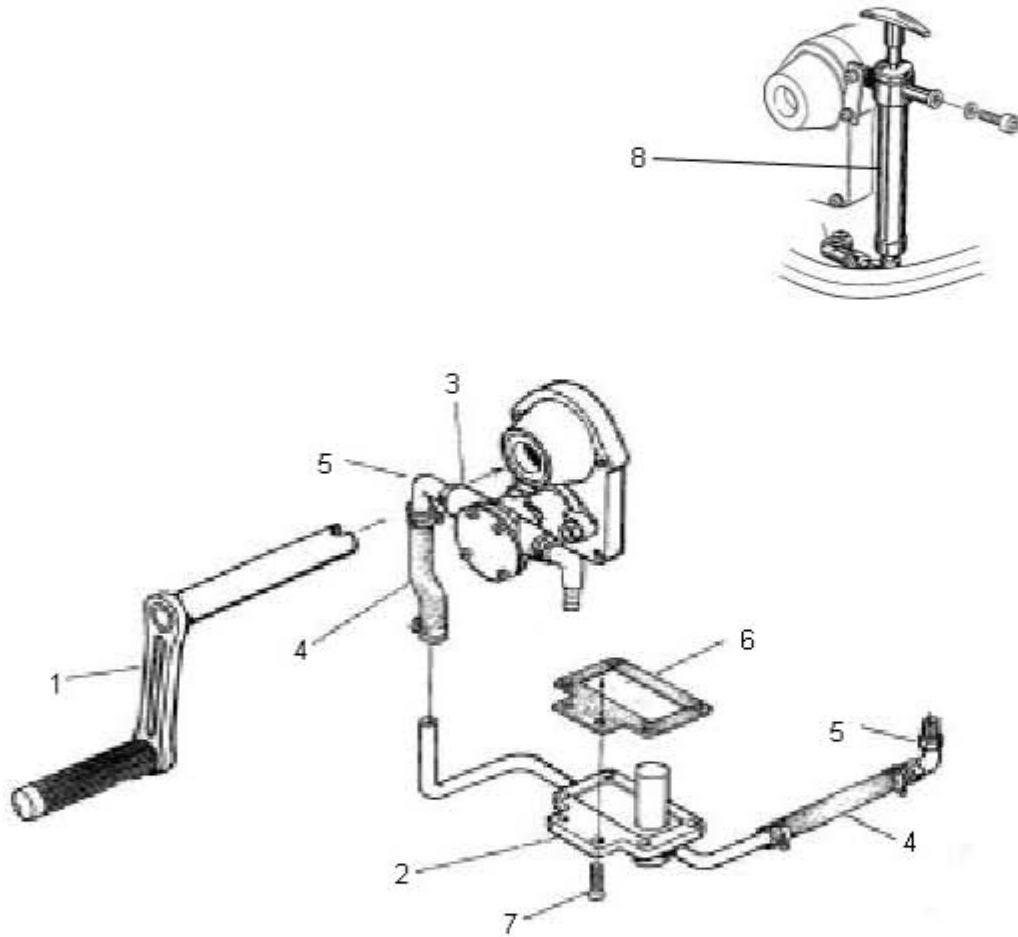
WESTERBEKE 3.8 BCDT GENERATOR - ELECTRICAL



WESTERBEKE 3.8 BCDT GENERATOR - ELECTRICAL

REF	PN	NAME	REMARKS	QUAN
1	046149	PANEL	REMOTE CONTROL, INC. 10M CABLE	1
2	NA	HOUSING	PANEL	1
3	NA	METER	HOUR	1
4	NA	PLATE	FACE	1
5	046118	HARNESS	GENSET CTL, INC. CONNECTOR	1
6	049848	CONNECTOR	FEMALE 8 PIN	1
7	048662	RECTIFIER	BRIDGE	1
8	048661	PANEL	BOX & HARNESS	1
9	035978	CAPACITOR	BC GEN 31.5MFD	1
9	035985	CAPACITOR	BC GEN 25MFD	1
9	041199	CAPACITOR	BC GEN 35MFD	1
10	050505	BREAKER	CIRCUIT 20 AMP	1
11	046158	TRANSFORMER	CURRENT (60HZ)	1
11	049849	TRANSFORMER	CURRENT	1
12	046061	CHARGER	BATTERY	1
12	046060	RESISTOR		1
12	049852	REGULATOR	CHARGER	1
13	045900	RELAY	START	1
	049850	HOSE	AIR INTAKE	1
	049856	SCREEN	AIR INTAKE	1
	049854	BREAKER	CIRCUIT 16A	1
	049855	BREAKER	CIRCUIT 30A	1
	048663	RESISTOR		1
	049877	BLOCK	TERMINAL	1

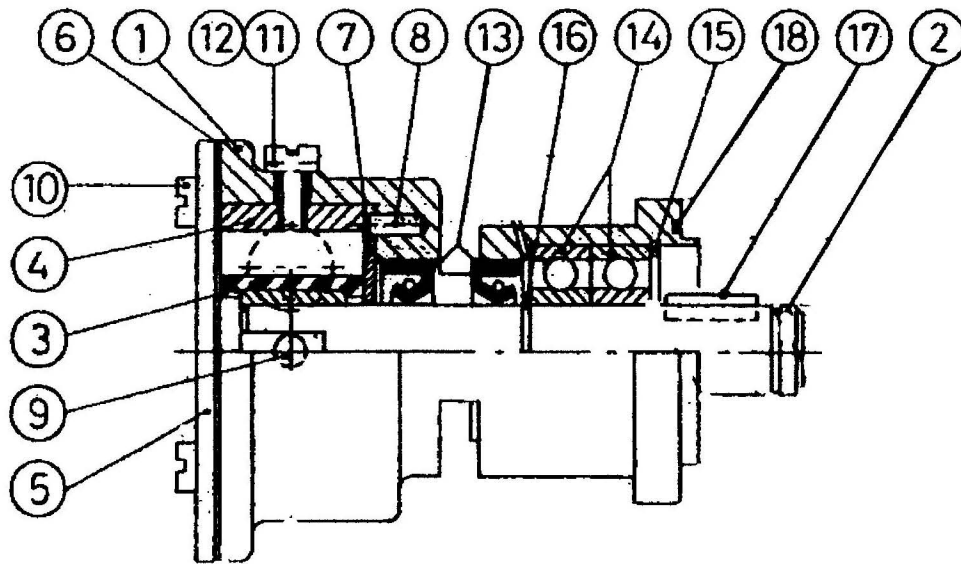
WESTERBEKE 3.8 BCDT GENERATOR - RAW WATER AND CRANK



WESTERBEKE 3.8 BCDT GENERATOR - OIL COOLER AND HAND PUMP

REF	PN	NAME	REMARKS	QUAN
				1
1	045608	HANDLE	HAND CRANK	1
2	048655	COOLER	OIL 3.8 BCDT	1
3	045765	PUMP	SEA WATER	1
4	048659	HOSE	3.8 BCDT COOLING	2
5	045778	ELBOW	SEA PUMP	3
6	045836	GASKET	CRANKCASE	1
7	NA	SCREW	PHILLIPS HEAD	4
8	048658	PUMP	SUMP-HAND 3.8 BCDT	1

WESTERBEKE 3.8 BCDT GENERATOR - RAW WATER PUMP



WESTERBEKE 3.8 BCDT GENERATOR - RAW WATER PUMP

REF	PN	NAME	REMARKS	QUAN
1	NA			
2	048357	SHAFT	WATER PUMP 45765	1
3	033046	IMPELLER	PUMP	1
4	033031	CAM	PUMP	1
5	048356	COVER	IMPELLER PUMP 45765	1
6	033032	GASKET	IMPELLER COVR	1
7	033036	PLATE	WEAR PUMP	1
8	302575	DOWEL		1
9	NA			
10	034463	SCREW	IMPELLER COVER-STAINLESS	4
11	046662	SCREW	CAM PUMP	1
12	033037	WASHER	CAM SCREW	1
13	033043	SEAL	PUMP	2
14	034464	BEARING	BALL 12- 28- 8	2
15	033044	RING	RETAINING EXT	1
16	033045	RING	RETAINING INT	1
17	048358	KEY	WATER PUMP	1
18	NA			



048361 KIT,WATER PUMP 45765

PART NUMBER	DESCRIPTION	QTY.
033031	CAM,PUMP 32617,46120	1.000 EA
033036	PLATE,WEAR PUMP 32617	1.000 EA
033037	WASHER,CAM SCREW	1.000 EA
033043	SEAL,PUMP 32617,33636,46120	2.000 EA
033044	RING,RETAINING EXT	1.000 EA
033045	RING,RETAINING INT	1.000 EA
034463	SCREW,IMPELLER COVER-STAINLESS	4.000 EA
034464	BEARING,BALL 12- 28- 8	2.000 EA
045766	IMPELLER KIT 45765 PUMP	1.000 EA
046662	SCREW,CAM PUMP 46120	1.000 EA
048355	CLAMP,WATER PUMP 45765	2.000 EA
048356	COVER,IMPELLER PUMP 45765	1.000 EA
048357	SHAFT,WATER PUMP 45765	1.000 EA
048358	KEY,WATER PUMP 45765	1.000 EA
302575	DOWEL	1.000 EA

7/11/06 R.C.B.



045825 GASKET SET, COMPLETE 3.8 BCDT AND 7A ONE

1	045836	GASKET, CRANKCASE
3	045880	O-RING (REAR MAIN FLANGE)
1	045839	GASKET, OIL PUMP
1	45878	O-RING (MAIN BEARING TO ANGLE RING)
3	045877	O-RING (WATER TRANSFER PIPE)
1	045834	GASKET, ROCKER COVER
1	045849	GASKET, HEAD
1	45884	O-RING (PUSH ROD TUBE UPPER)
2	NA	WASHER, VALVE COVER SEALING (PLASTIC)
1	047707	WASHER, INJECTOR
1	045833	GASKET, THERMOSTAT
1	045885	O-RING (PUSH ROD TUBE LOWER)
1	045886	GASKET, OIL FILL CAP
2	045876	GASKET, LIFT PUMP
1	045842	GASKET, INJECTION PUMP
1	045838	GASKET, DECOMPRESSION ASSY
1	045843	GASKET (DECOMPRESSION ASSY)
1	045889	O-RING (CAM SHAFT TO BEARING SEAL)
1	045840	GASKET, OIL FILTER
1	NA	WASHER, OIL DRAIN PLUG
1	045875	GASKET, HOUSING COVER (TIMING)
1	045835	GASKET, TIMING CASE
2	045877	O-RING (GOVERNOR SHAFT)
6	047708	WASHER, BANJO
5	047706	WASHER, BANJO
1	NA	WASHER, WATER TEMP SWITCH
5	045837	GASKET, AIR INTAKE AND EXHAUST

PARTS NOT INCLUDED IN GASKET SET

2	045903	SEAL, VALVE
1	045925	SEAL, OIL (rear main)
1	045924	SEAL, OIL (front main)

R.C.B. 05/15/07